

TBOX-1E10

Ultra-Small Intel J6412 Box PC

Version: 1.0



Features:

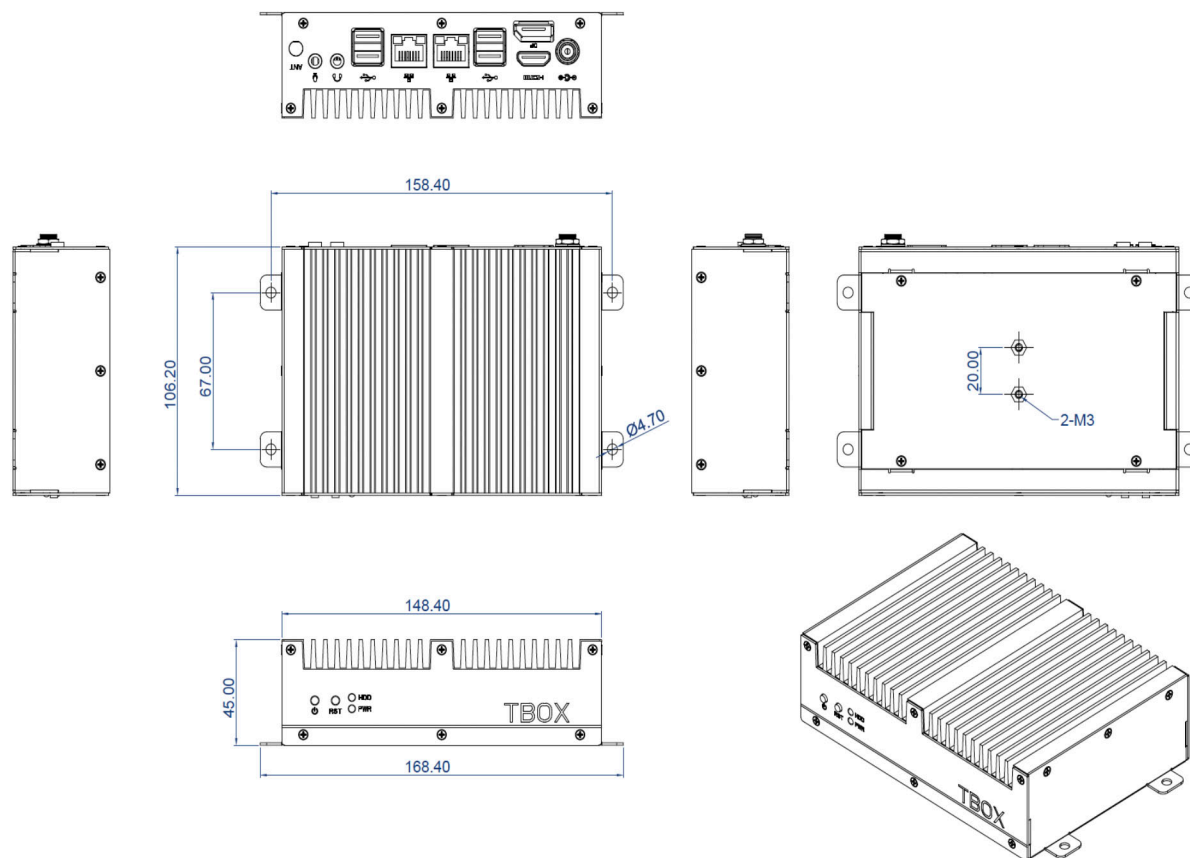
- Rugged, Ultra-small, fanless designed box structure;
- Intel Elkhart Lake Celeron J6412 Quad-core processor;
- Wide DC 9~36V power input, with over-voltage, polarity protection;
- Industrial -20 ~ + 60°C operating range;
- 2 GLAN, optional with 3G/4G/LTE/5G, and Wi-Fi/BT expansion;
- 4 USB3.0, 1 HDMI, 1 DP, Mic-in/Line-out;
- 1 M.2 3042/52 B-key, and 1 M.2 2230 E-key slot.

Specification

System	BIOS	SPI AMI EEI BIOS
	CPU	Intel Elkhart Lake J6412, Quad-core processor
	CPU Ghz	Quad-core 2.0Ghz, burst to 2.6Ghz
	TDP	10W
	Memory	SO-DIMM, DDR4-3200Mt/s, Max. up to 32GB
	Storage	1* M.2 2280 M-Key PCIe x2
	Graphic	Intel UHD Graphics Gen10
	Network	1* Intel I225-V, 1* Intel I211AT, optional support 3G/4G/5G/Wi-Fi wireless
	Audio	On-board Realtek ACL 269 Audio controller
	Expansion	1* M.2 3042/52 B-key slot. 1* M.2 2230 E-key slot
	Watchdog	0 ~ 256 seconds programmable
	Operating system	Win10, Win11, Linux
IO interface	Serial port	N/A
	Ethernet	2* RJ45, 10/100/1000 Mbps
	Audio	Mic-in/Line-out
	USB	4* USB3.0
	Display	1* HDMI, 1* DP
	Power input	DC Jack, lockable 5.5 * 2.5
	GPIO	Optional
Structure	Box structure and surface	Aluminum alloy, anodizing and anti-scratch treatment
	Color	Black
	Mount method	Desktop, wall mount, optional with Din-rail mount
	Cooling system	Finned aluminum heatsinks
	Indicator & Button	Power switch, Power LED, HDD LED
	Dimension	168.4 * 106.2 * 45 (mm)
	Net weight	About 0.8 KG
Power & Environmental	Operating temp.	-20 ~ + 60 (°C)
	Storage temp.	-40 ~ + 70 (°C)
	Humidity	10 ~ 95% @ 10C (No condensation)
	Vibration	50 ~ 500 Hz, 1.5G, 0.15mm peak to peak
	Shock	10G/Peak (11 ms)
	Power input	DC 9~36V
	Power consumption	About 20W
	EMC	CE/FCC Class A

DIMENSIONAL DRAWING:TBOX-1E10

Dimension



DIMENSIONS IN MILLIMETERS

TAICEM
DATE:2022.08.03
REV:A Unit:mm

Ordering information

Part no.	Description
TBOX-1E10	Intel Elkhart Lake J6412, 2 RJ45, 4 USB3.0, 1 HDMI, 1 DP, Mic-in/Line-out, DC 9~36V
Memory	Memory: SO-DIMM, DDR4,4GB/8GB/16GB
Storage	M.2 NVMe SSD: 128GB/256GB/512GB
Wireless Modules	Wi-Fi module, with Antenna
	Wi-Fi module with BT integrated, with antenna
	All network 4G module, with Antenna
	5G module, with Antenna
TDRK-BOX1-35	Din 35 mount clip (1 set per unit)

Packing List

- 1 unit standard Product
- 1 set 40W PSU (Power supply)
- 1 set Power Cable & Plug