

Nord Technology

Reseller of JHCTECH hardware in Denmark

NORD TECHNOLOGY CONTACT INFORMATION

World Trade Center
Borupvang 3,
2750 Ballerup,
Denmark

 **Tel.:** +45 70 27 04 15
 **Email:** sales@nord-t.eu
 **Website:** www.nordtechnology.dk

KMDA-2630-T



KMDA-2630

Intel® Elkhart lake CPU, VGA+HDMI, 2*2.5G-LAN, 2*USB3.1
4*COM, 8-bit DIO, Audio out, mSATA+2.5" SATA bay

JHCTECH

物联万物

Fanless Computer--KMDA Series



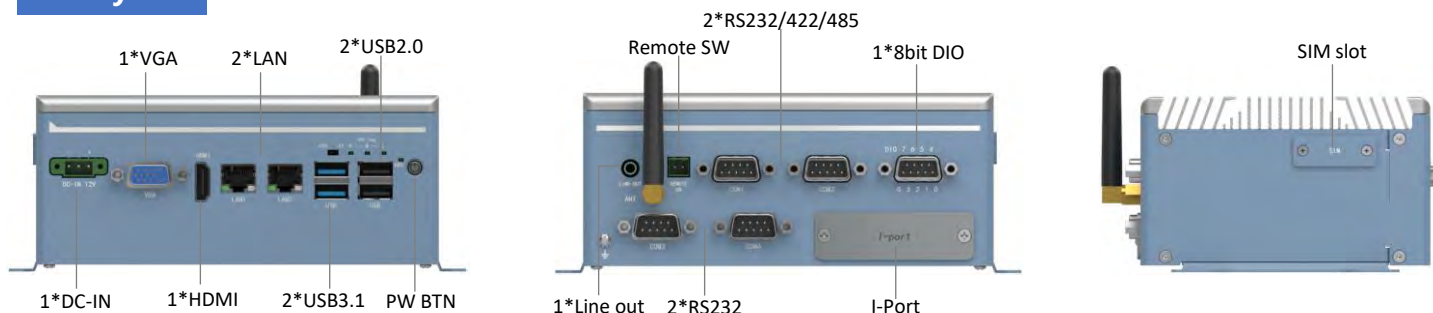
Key Features

- Compact aluminum frame, no fan heat dissipation design
- Intel® Elkhart lake Celeron Soc CPU
- 1*DDR4 3200MHz SODIMM, up to 16GB
- Intel® UHD Graphics, 1*HDMI+1*VGA
- 2*Intel® I225V, up to 2.5Gbps bandwidth
- 2*USB3.1 Gen2, 2*USB2.0, optional Audio out
- 2*RS232, 2*RS232/422/485, 8-bit DIO
- 1*mSATA, 1*2.5" SATA bay
- DC 12V power in, optional OFX-075 wide power input DC 9-36V

Product Overview

KMDA-2630 is a low power consumption compact fan-less box computer, powered by Intel Elkhart lake SoC Celeron series 4 cores or dual-core CPU, supporting 2.5G bandwidth network and dual USB3.1gen2 10G High-speed ports. It has a full range of functions IO, with fan-less aluminum frame, which is cabinet and delicate, and also support wide power input, so it is suitable for machine vision, AGV/ARM, data gateway and other fields.

IO Layout

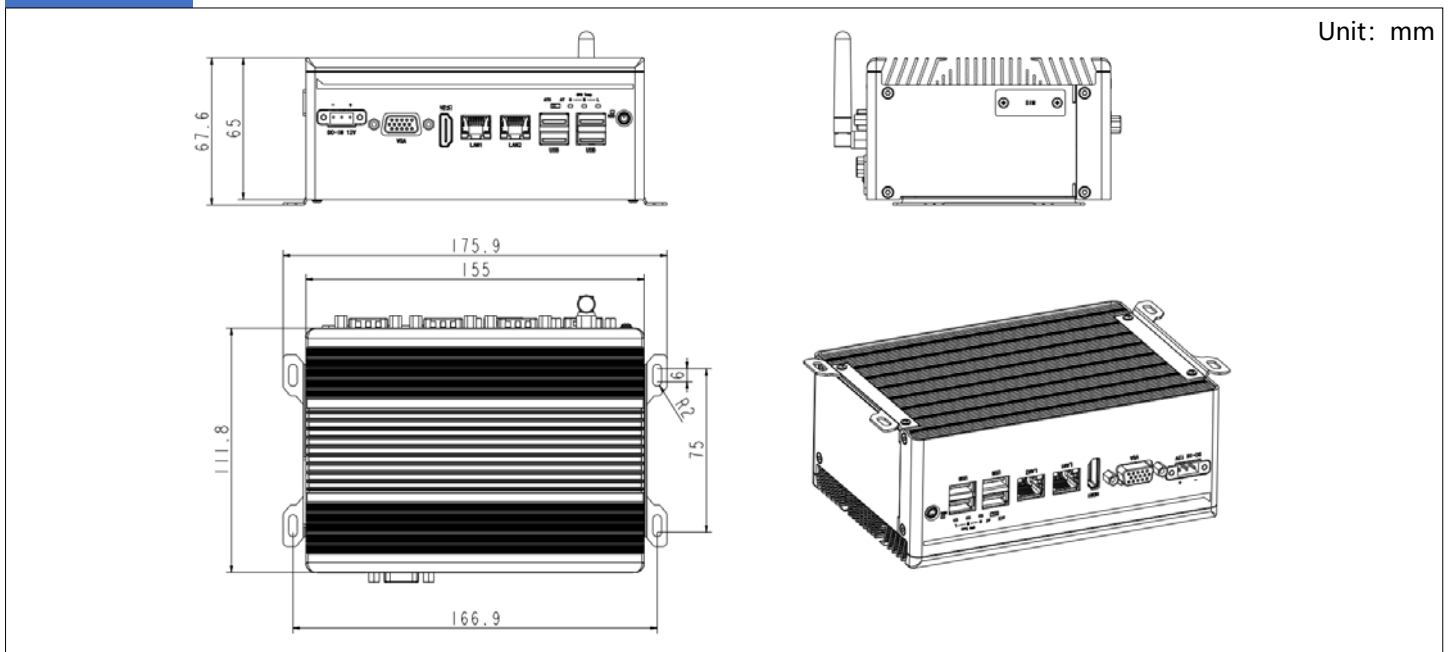


Product SPEC

CPU	Intel® Elkhart lake SoC CPU: Celeron J6412 2.0-2.6GHz 4 cores 4 threads; Celeron N6210 1.2-2.6GHz 2 cores 2 threads
System memory	1*DDR4 SO-DIMM, 3200MHz, up to 16GB
Expansion	1*M.2 B-key 3052, with PCIe X1+USB2.0+SIM slot, support 5G RN or 4G LTE module; 1*JHCTECH Express-01 80pin composite signal high speed interface: 2*PCIeX1, 4*USB2.0, Front-Audio; 1*PS/2, Front-Panel, 1*Sm bus & 1*eSPI
Graphics	Intel Gen10 UHD Graphics, HW Encode: H.265/HEVC, H.264/MPEG-4 AVC, MPEG-2, JPEG/MJPEG, VP8; HW Decode: H.265/HEVC, H.264/MPEG-4 AVC, MPEG-2, VC-1/WMV9, JPEG/MJPEG, VP8, VP9 HDMI2.0 max res. 4096*2304@60Hz VGA max res. 1920*1200@60Hz
Audio	Realtek ALC662 controller (Opt.), Supports 5.1 channel
LAN	2*Intel I225V PCIe Gig. Ethernet, 10/100/1000/2500Mbps, support WOL
Storage	1*2.5" SATA3.0(6.0Gbps) bay, 1*1*full size mSATA, support AHCI
I/O Interface	Front I/O: 1*HDMI+1*VGA; 2*2.5G-LAN(RJ45); 2*USB3.1(Type A), 2*USB2.0(Type A) Back I/O: 2*RS232/422/485 (DB9 male), 2*RS232(DB9 male); 1*8-bit DIO (DB9 male); 1*Audio line out (3.5mm phone jack) Side & internal: 1*SIM (side); 1*USB2.0(Type A internal)
I-port	Support internal 1*USB2.0 or M.2 3052 and ect expansion module
LED	1*Power LED, 1*HDD LED, 3*CPU temp LED (Red is warning, Yellow is high, Green is normal)
Control SW	1*Power button w/LED, 1*Remote SW, 1*AT/ATX SW, 1*Clear CMOS SW
Power supply	DC 12V, 1*3-pin phoenix term, TDP: TBD; Optional OFX-075 power board, DC 9-36V wide power input, with short circuit, over voltage and over current protection
Watchdog timer	Watchdog timeout programmable via software 1 to 255 second
OS	Windows 10 64 bit, SUSE, Ubuntu, Wind River, Linux

Mechanical	SGCC chassis, Aluminum frame
Color	Blue+white
Mounting	Desk mounting
Dimension	(W*H*D): 155*111.8*65 mm
Net weight	1.30KG
Operating temperature	-20 ~ 60°C, wide temp SSD, airflow
Storage temperature	-40°C~85°C
Storage humidity	10~90%@40°C, Non-condensing
Vibration	5grms/5~500Hz/random/in working (SSD); 1grms/5~500Hz/random/in working (HDD)
Shock	50g peak acceleration (11ms duration)(SSD); 20g peak acceleration (11ms duration)(HDD)
EMC and Certification	CE/FCC Class B

Dimension



Ordering Info.

Model No.	CPU	Introduction
KMDA-2630/T001	Intel® Celeron J6412	1*DDR4 SODIMM, 2*LAN, 2*USB3.1, 3*USB2.0, 4*COM, 8-bit DIO, 1*M.2, 1*VGA, 1*HDMI, 1*Line out, 1*mSATA, 1*2.5" SATA bay, DC-IN 12V
KMDA-2630/T002	Intel® Celeron N6210	
OFX-075	75W power board, DC IN 9-36V, DC OUT 12V, 38*53mm, Consumption : Min. 54W, max. 78W	
PA-60DC12	AC/DC power adapter,DC 12V/5A 60W	